

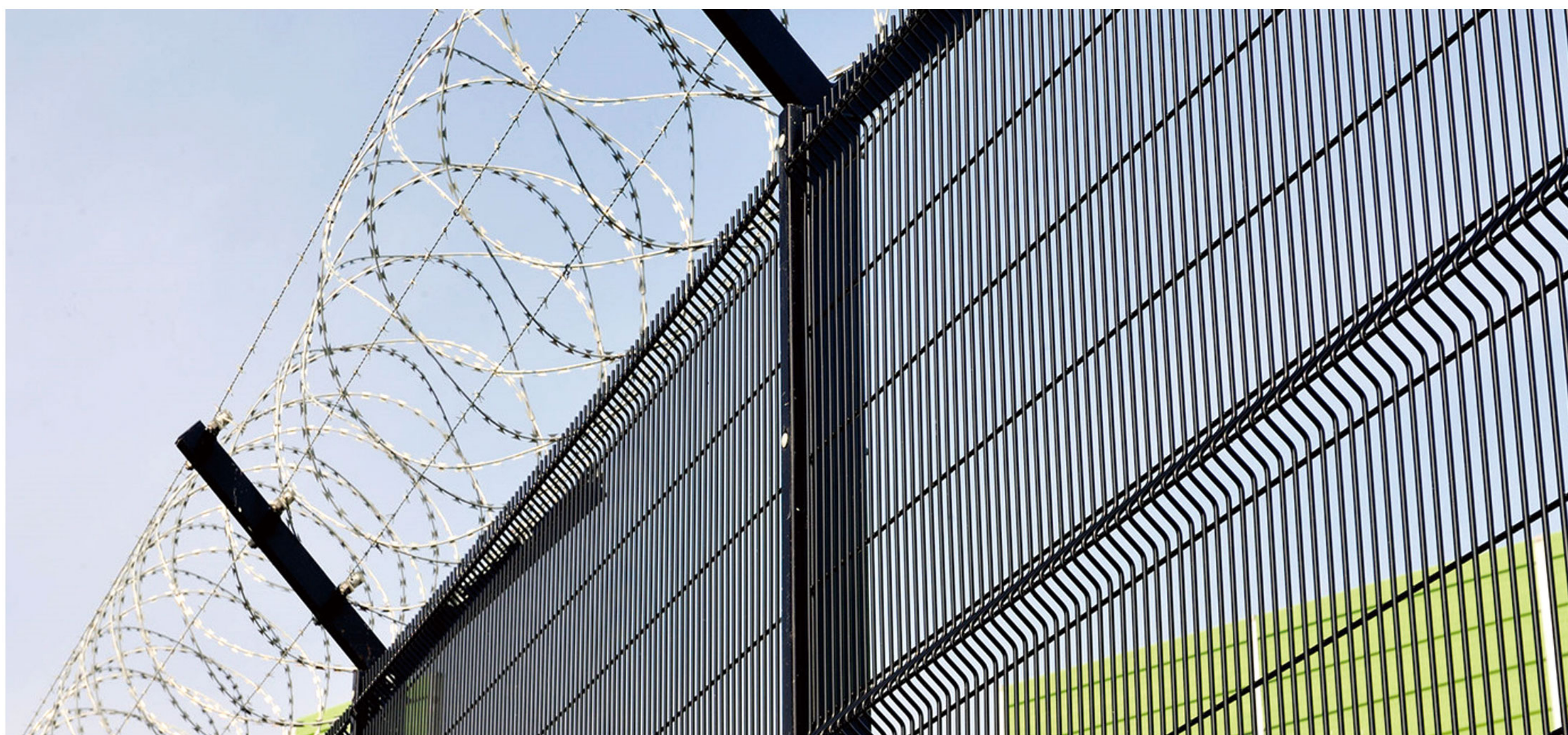
358 SECURITY FENCE

358安全围栏



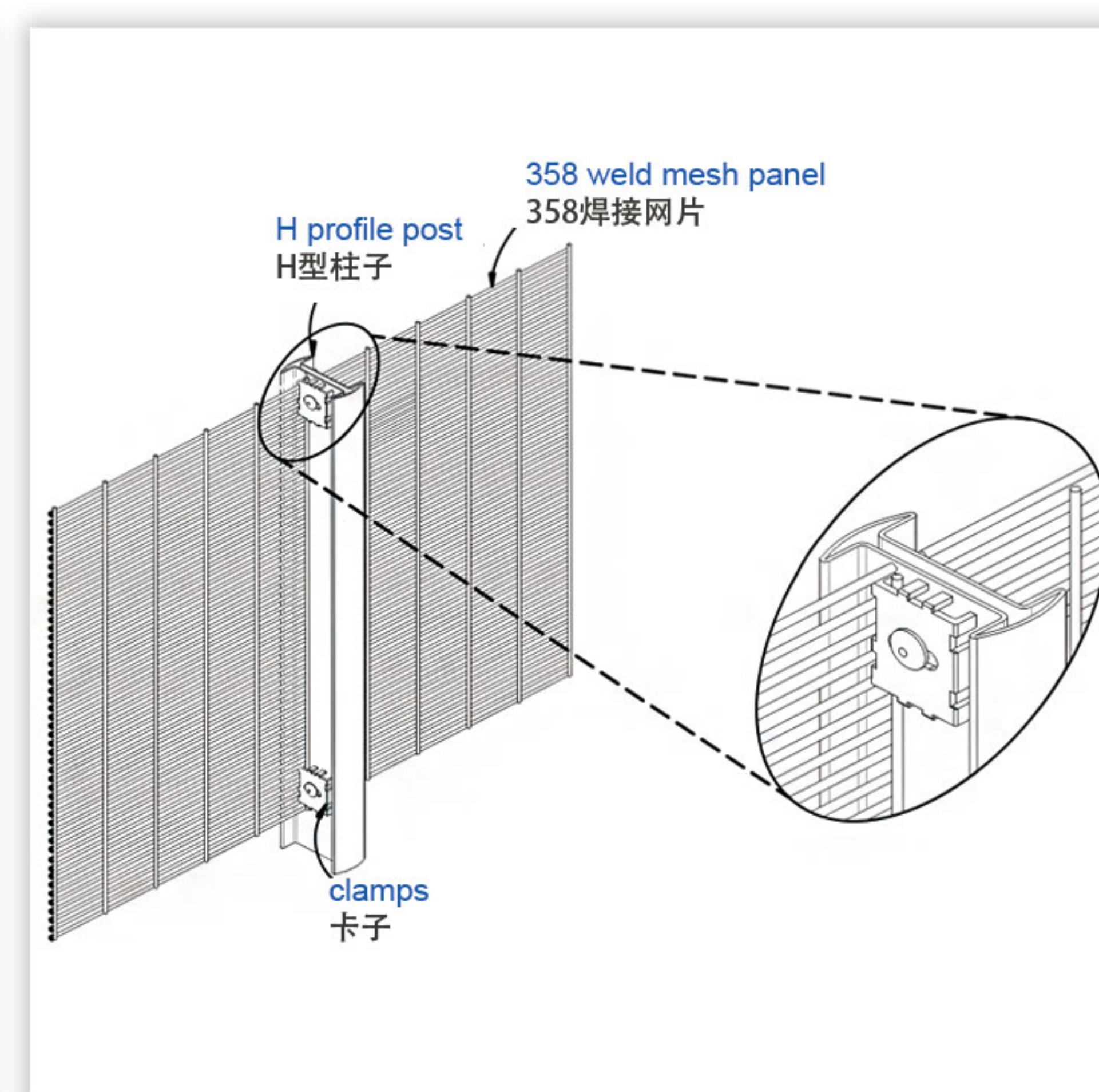
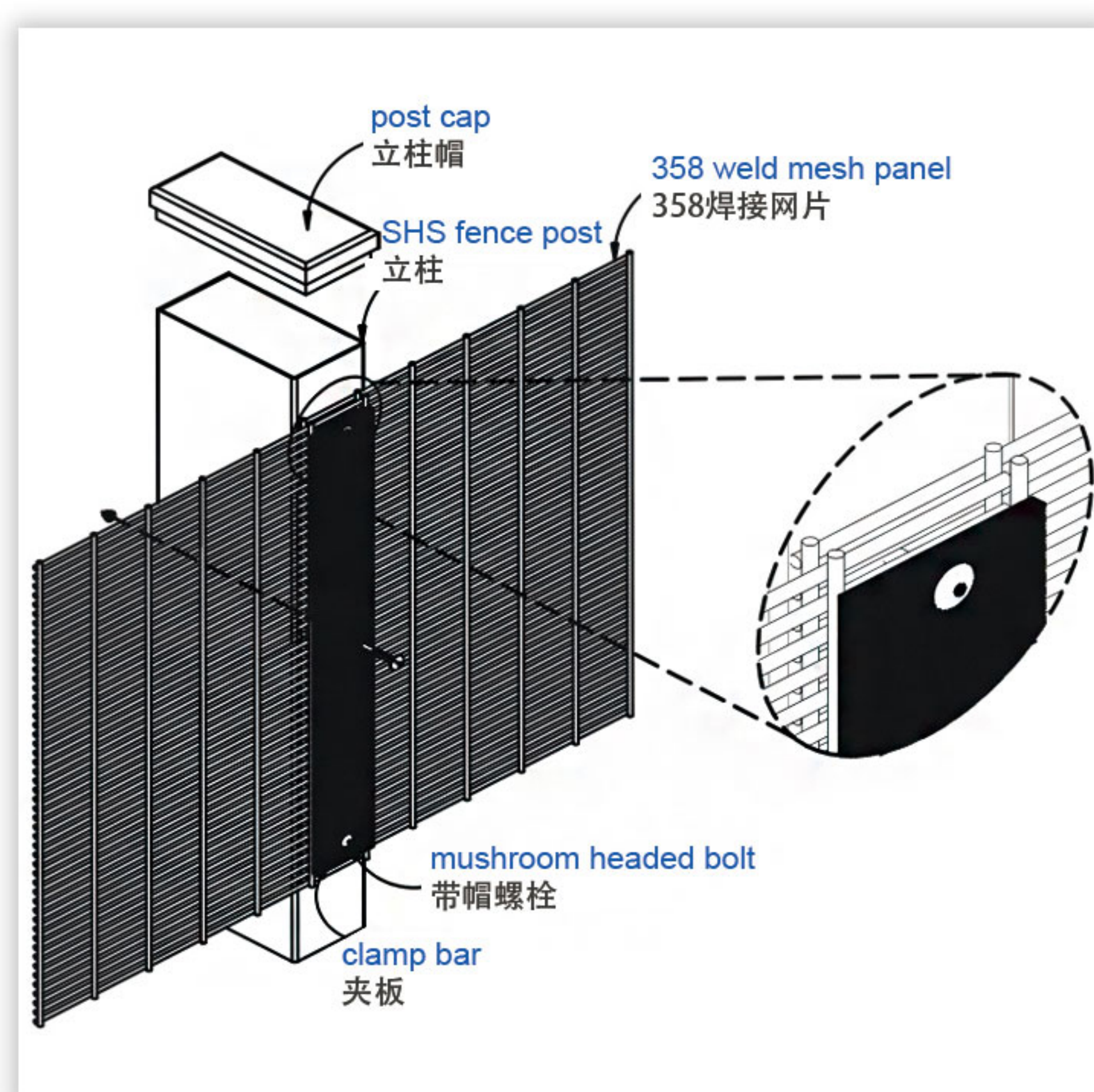
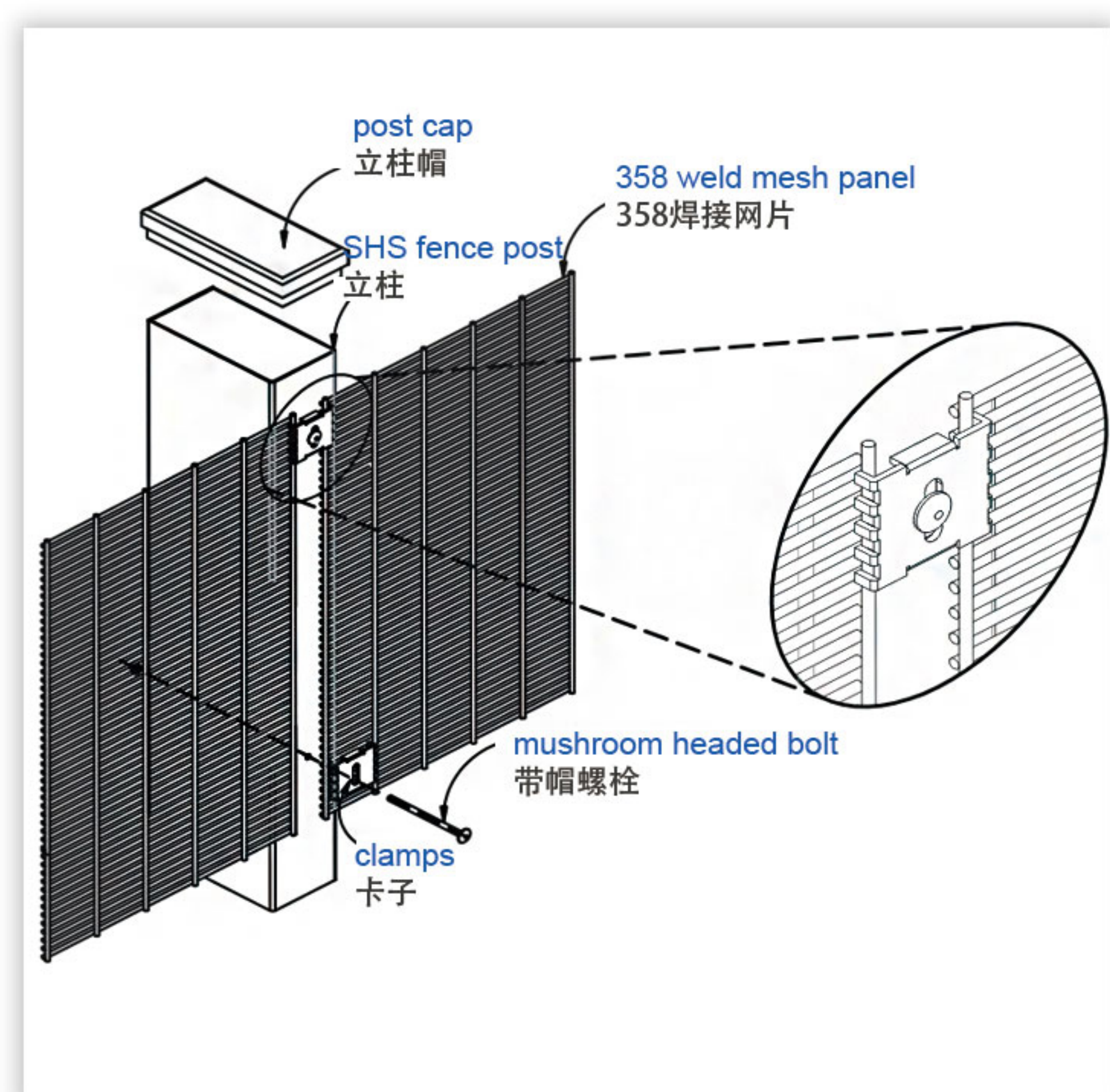
High security fencing , Prison Mesh Fencing or 358 Mesh Fencing as it is also known, is a highly robust steel Mesh Fencing system.

高安全围栏，监狱围网和358铁丝网也被称为强健的铁丝网围栏系统。



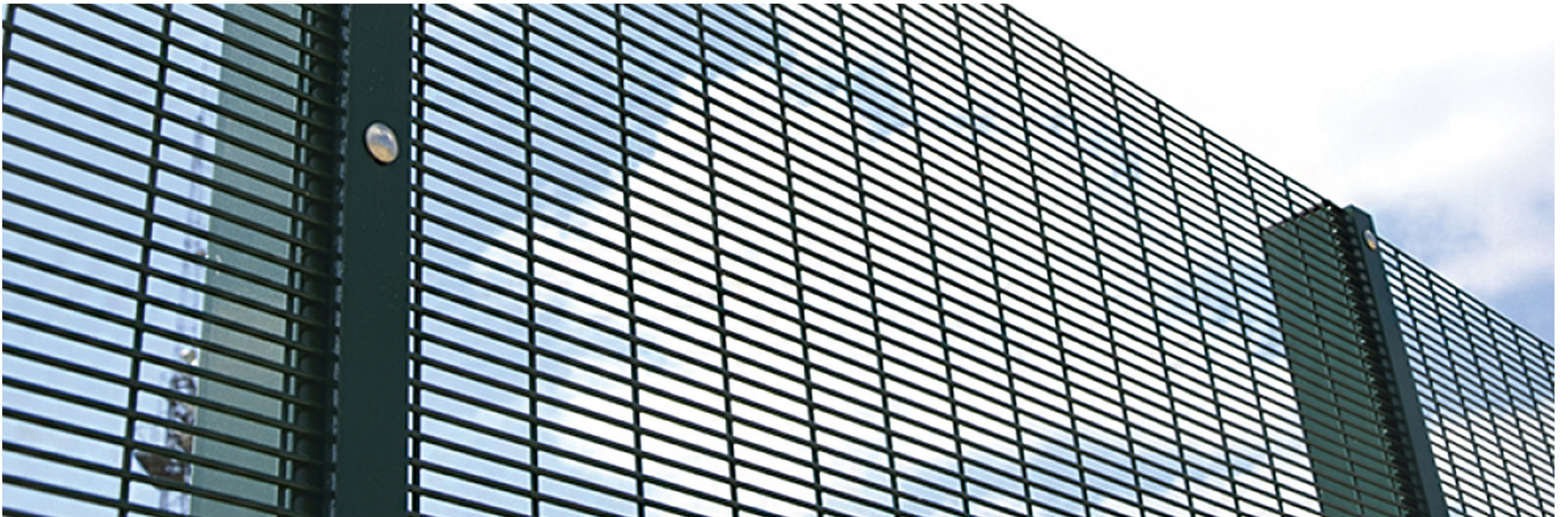
THREE COMMON CONNECTION METHODS:

三种常见连接方式:



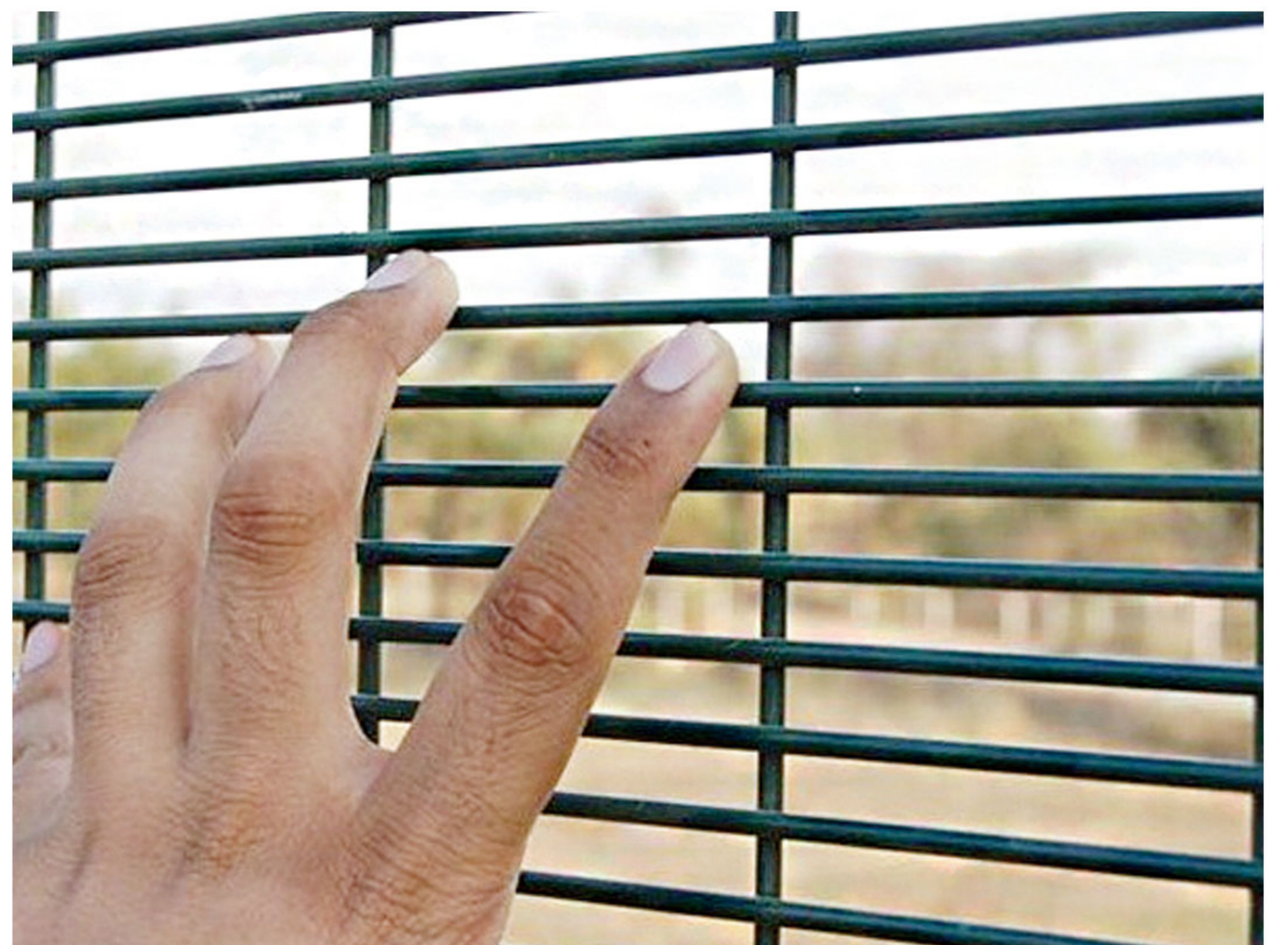
STANDARD MESH PANEL:**标准网板:**

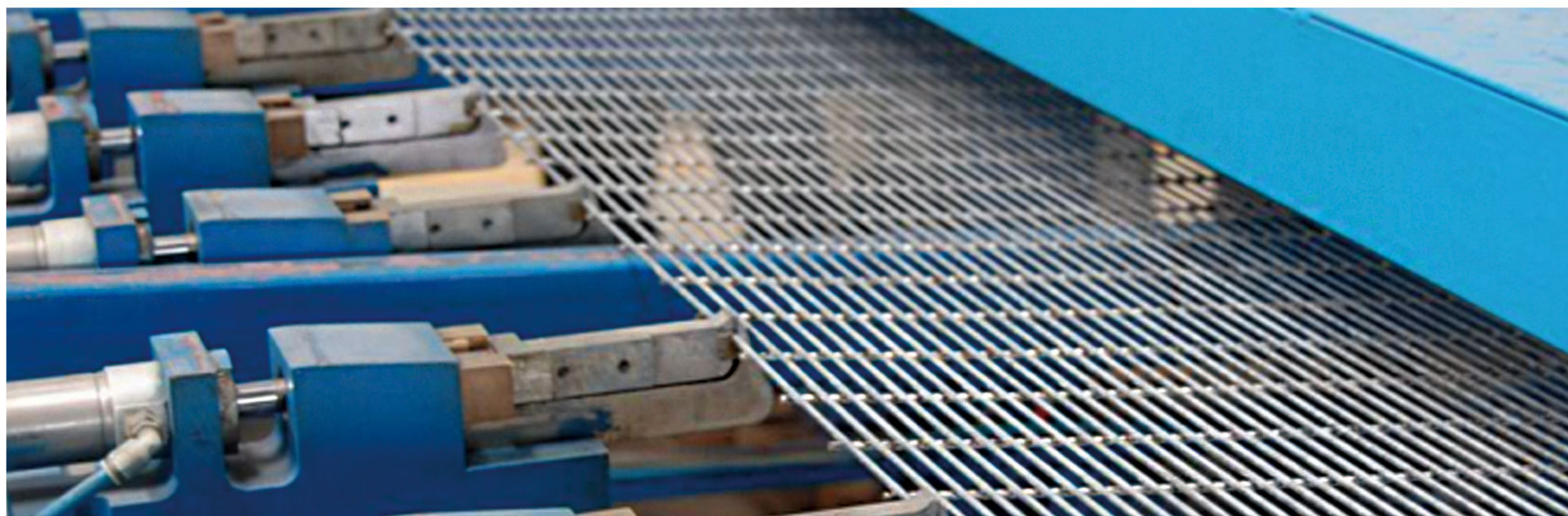
Mesh size 网孔	Height (mm) 高度	Width(mm) 宽度	Wire diameter 丝径	Post Height 立柱高度
76.2×12.7mm	2100	2515/2750/3000	2.0-4.0mm	2700
	2200	2515/2750/3000		2800
	2400	2515/2750/3000		3000
75×12.5mm	2700	2200/2300		3700
75x13mm	3000	2200/2300		4000
	3600	2200/2300		4800
	4000	2200/2300		5200


**The Characteristic of 358 Fence:**

Good corrosion resistance, anti-aging, easy and quick installation, anti-climbing, anti-cut, beautiful appearance, Smooth surface, excellent visibility, Low maintenance costs.

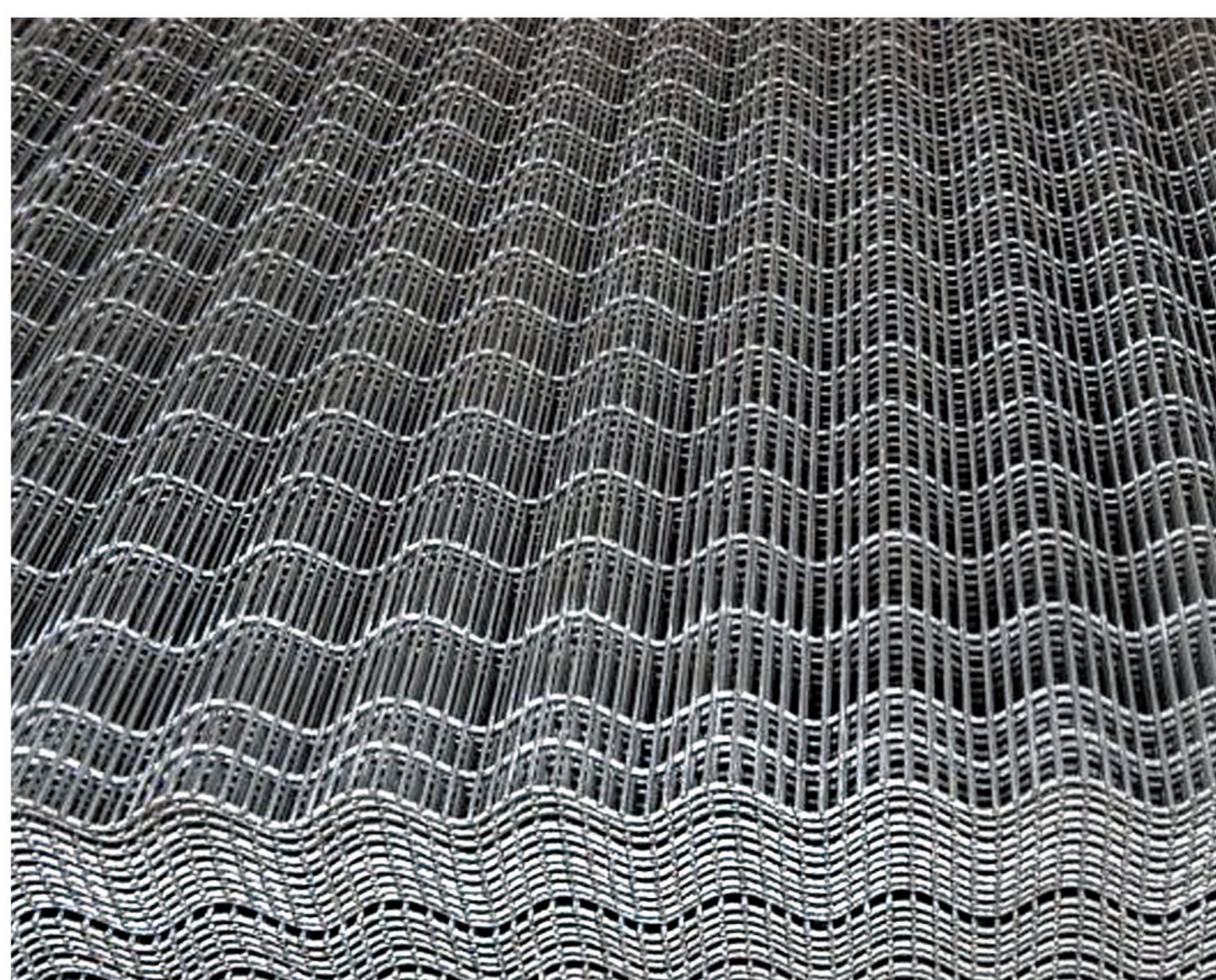
358护栏的特点: 耐腐蚀、抗老化、安装方便快捷、防攀爬、防切割、外观美观、表面光洁、能见度好、维护成本低。



PROCESSING:**生产流程:**

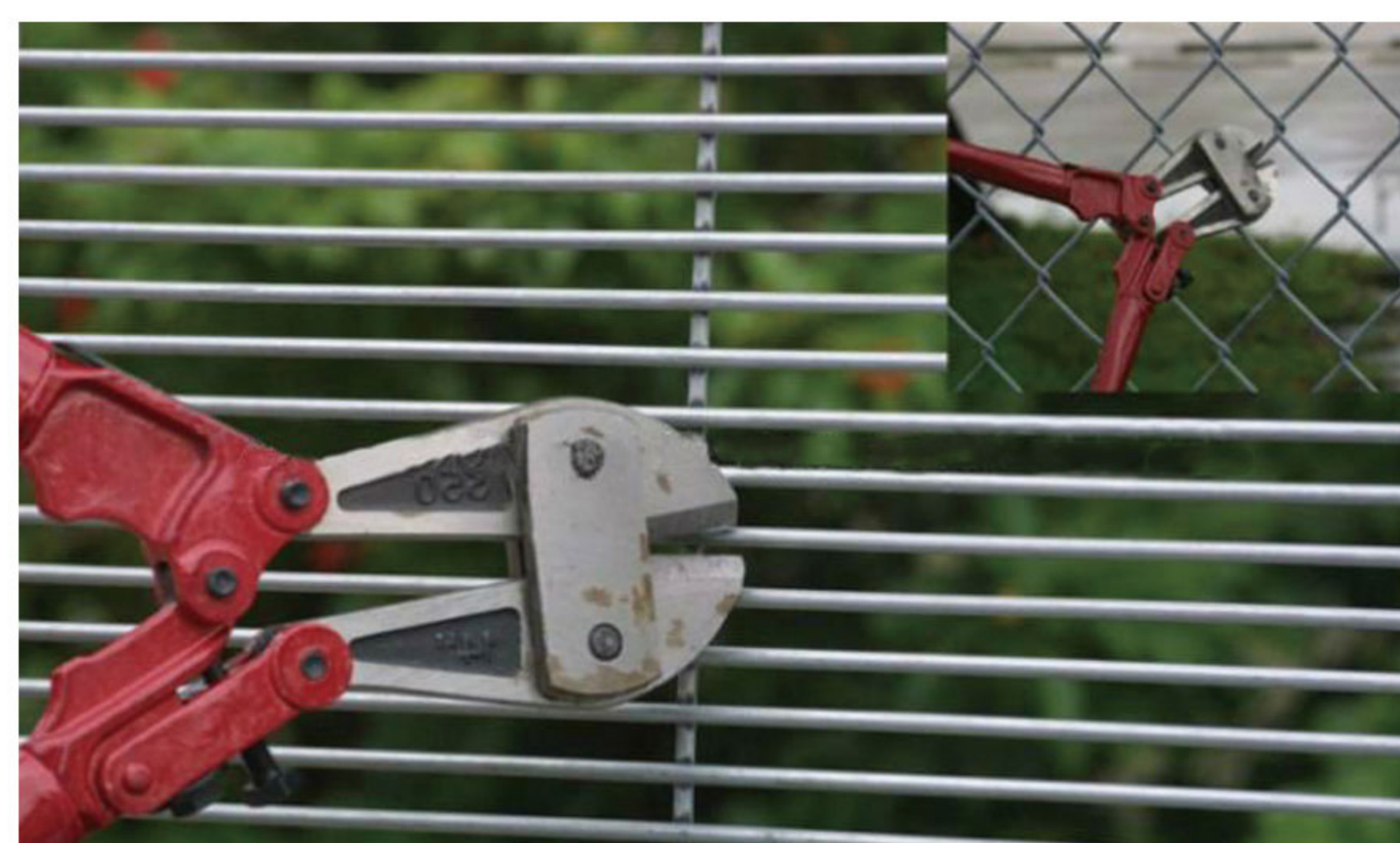
358 mesh fence panels made from hot dipped galvanized steel wire, then PVC powder coating .

358围栏网由镀锌丝焊接而成, 然后再用PVC粉末喷涂。



358 security mesh fence made from a type of strong welded mesh panel with small mesh opening. It is extremely difficult to penetrate and difficult to attack using conventional hand tools. Has the features of anti-climbing and anti-cutting.

358安全网护栏由一种坚固的焊接网板制成, 网口很小。它极难被穿透, 难以用传统的手工工具进行攻击。具有防攀爬和防切割的特点。



APPLICATION VIEW:

应用场景:

